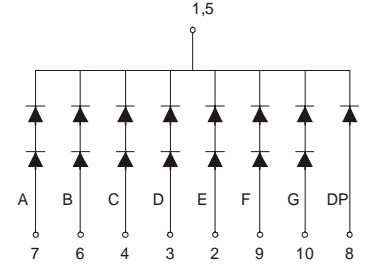
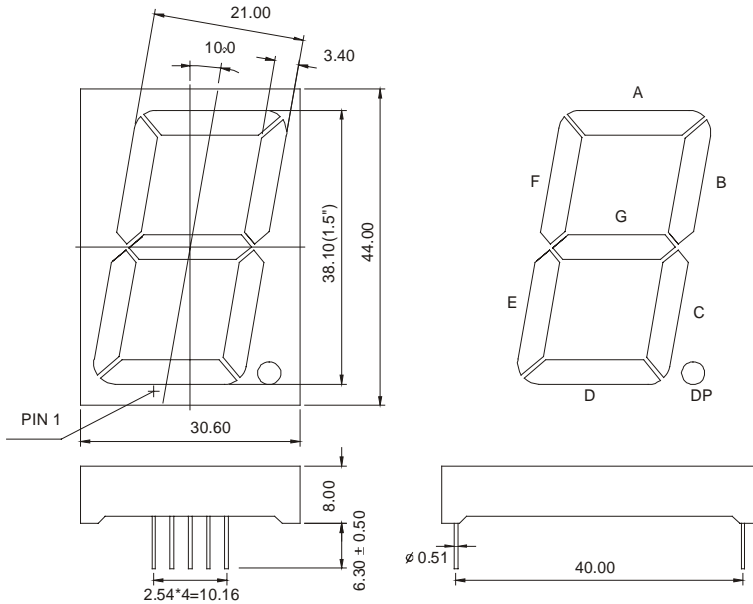


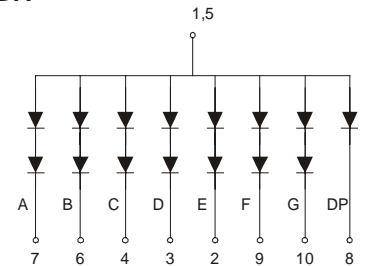
## GNS-15011Ax-Bx (SINGLE DIGIT LED DISPLAY)

### GNS-15011 Series

### GNS-15011Ax



### GNS-15011Bx



### Features:

\*1.5 INCH HIGH CHARACTER.

\*EXCELLENT CHARACTER APPEARANCE.

\*COMMON CATHODE OR COMMON ANODE.

\*I.C. COMPATIBLE

\*LOW POWER CONSUMPTION.

Part Number	EMITTED COLOR		Common Cathode or Common Anode	Peak Wavelength (nm)	Vf (v) Typ	If (mA)	Intensity Per Segment (mcd)	
							Min.	Typ.
GNS-15011AE	GaAsP/GaP	Hi.effi Red	Common Cathode	635	2.0	20	18	24
GNS-15011AG	GaP	Green		565	2.1	20	16	22
GNS-15011AY	GaAsP/GaP	Yellow		585	2.0	20	18	24
GNS-15011AS	GaAlAs	Super Red		660	1.8	20	20	26
GNS-15011AD	GaAlAs	Ultrs Red		660	1.8	20	50	60
GNS-15011AUE	AlGaNp	Ultra Red		625	2.0	20	60	70
GNS-15011AUY	AlGaNp	Ultra Yellow		590	2.0	20	60	70
GNS-15011BE	GaAsP/GaP	Hi.effi Red		Common Anode	635	2.0	20	18
GNS-15011BG	Gap	Green	565		2.1	20	16	22
GNS-15011BY	GaAsp/Gap	Yellow	585		2.0	20	18	24
GNS-15011BS	GaAlAs	Super Red	660		1.8	20	20	26
GNS-15011BD	GaAlAs	Ultrs Red	660		1.8	20	50	60
GNS-15011BUE	AlGaNp	Ultra Red	625		2.0	20	60	70
GNS-15011BUY	AlGaNp	Ultra Yellow	590		2.0	20	60	70