

## SCHOTTKY BARRIER RECTIFIERS

REVERSE VOLTAGE - **30 to 150Volts**  
 FORWARD CURRENT - **10.0 Amperes**

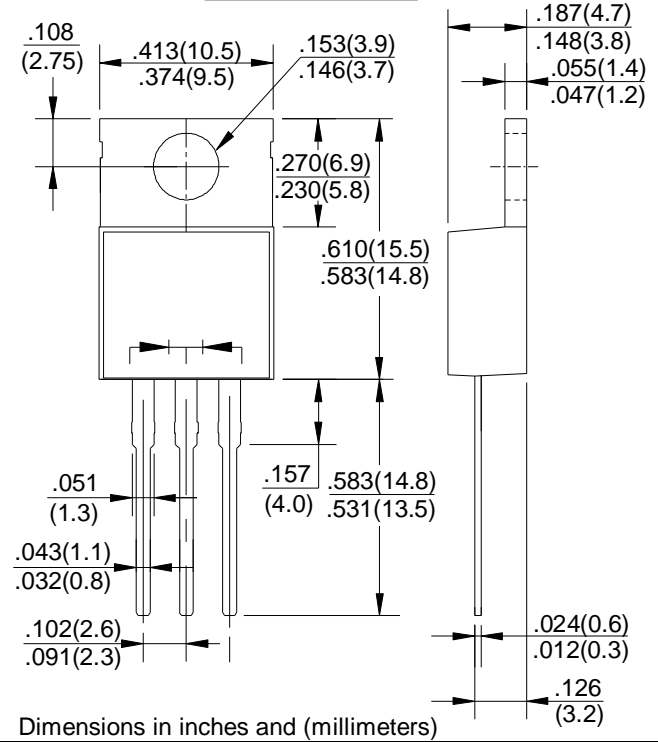
### FEATURES

- Metal of silicon rectifier , majority carrier conduction
- Guard ring for transient protection
- Low power loss,high efficiency
- High current capability,low VF
- High surge capacity
- Plastic package has UL flammability classification 94V-0
- For use in low voltage,high frequency inverters,free wheeling,and polarity protection applications

### MECHANICAL DATA

- Case: TO-220AB molded plastic
- Polarity: As marked on the body
- Weight: 0.08ounces,2.24 grams
- Mounting position :Any

### TO-220AB



### MAXIMUM RATINGS AND ELECTRICAL CHARACTERISTICS

Rating at 25°C ambient temperature unless otherwise specified.

Single phase, half wave ,60Hz, resistive or inductive load.

For capacitive load, derate current by 20%

CHARACTERISTICS	SYMBOL	SR 1030CT	SR 1040CT	SR 1050CT	SR 1060CT	SR 1080CT	SR 10100CT	SR 10150CT	UNIT	
Maximum Recurrent Peak Reverse Voltage	VRRM	30	40	50	60	80	100	150	V	
Maximum RMS Voltage	VRMS	21	28	35	42	56	70	105	V	
Maximum DC Blocking Voltage	VDC	30	40	50	60	80	100	150	V	
Maximum Average Forward Rectified Current ( See Fig.1) @Tc=95 °C	I(AV)	10							A	
Peak Forward Surge Current 8.3ms Single Half Sine-Wave Super Imposed on Rated Load (JEDEC Method)	IFSM	125							A	
Peak Forward Voltage at 5.0A DC (Note1)	VF	0.55	0.60	0.70		0.85	0.85	0.95	V	
Maximum DC Reverse Current @TJ=25°C at Rated DC Bolcking Voltage @TJ=100°C	IR	1.0							50	mA
Typical Junction Capacitance (Note2)	CJ	250							pF	
Typical Thermal Resistance (Note3)	RθJC	3.0							°C/W	
Operating Temperature Range	TJ	-55 to +150							°C	
Storage Temperature Range	TSTG	-55 to +150							°C	

NOTES:1.300us pulse width,2% dudy cycle.

2.Measured at 1.0 MHz and applied reverse voltage of 4.0V DC.

3.Thermal resistance junction to case.

FIG. 1 – FORWARD CURRENT DERATING CURVE

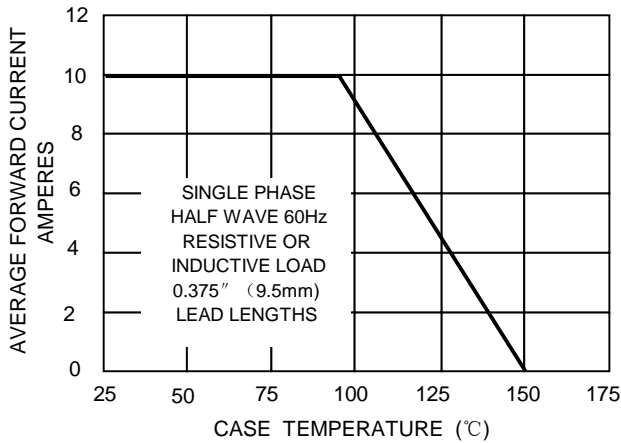


FIG. 2 – MAXIMUM NON-REPETITIVE SURGE CURRENT

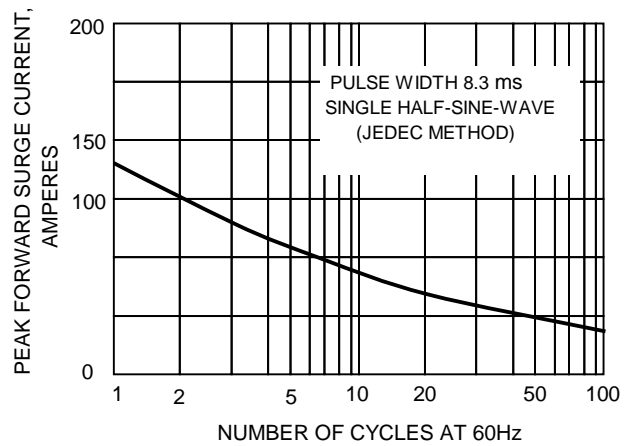


FIG.3-TYPICAL REVER CHARACTERISTICS

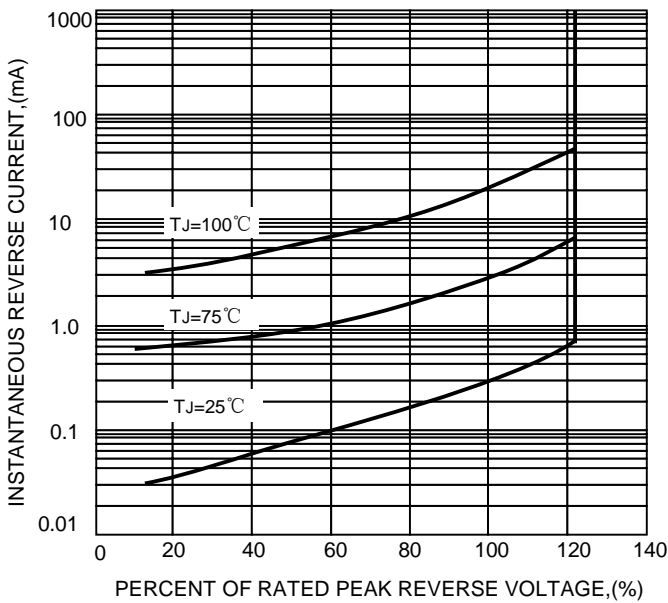


FIG.4-TYPICAL FORWARD CHARACTERISTICS

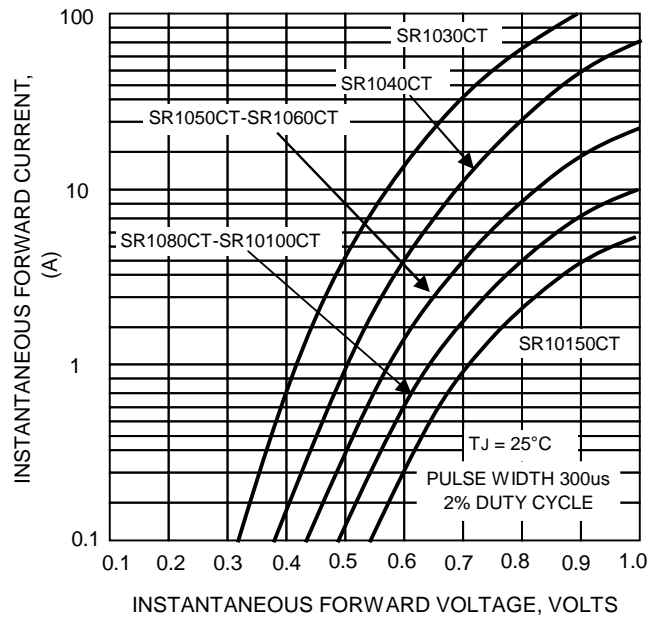


FIG.3 – TYPICAL JUNCTION CAPACITANCE

